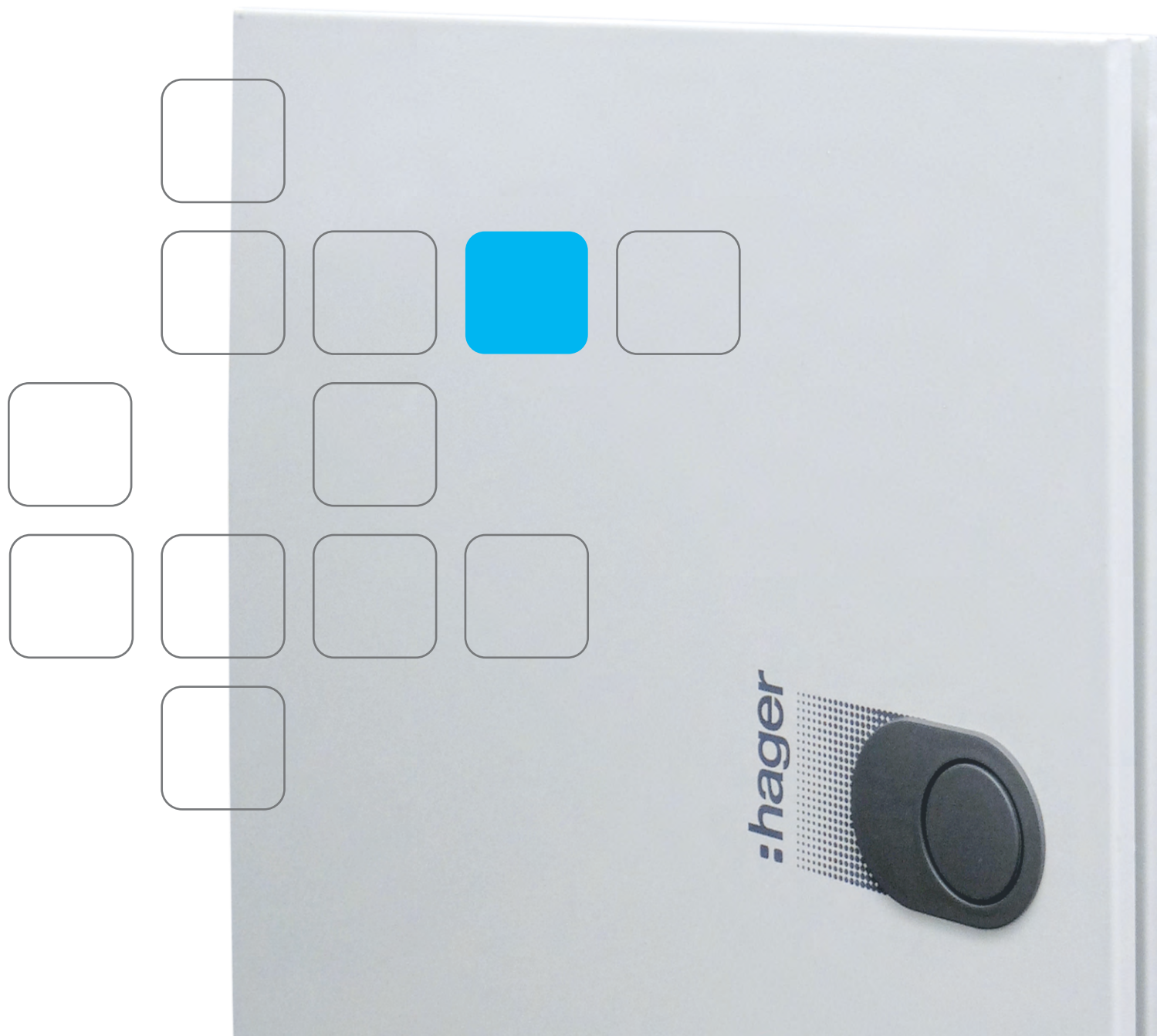


novello⁺ distribution boards

Looks, features, technology- a perfect blend



novello⁺ Distribution Boards: Looks, features, technology- a perfect blend

Innovation is the key driver in our business, bringing clear differentiation in our products. Our solutions exceed the expectations of our customers given the product's ease-of-installation & ease-of-use.



novello⁺ distribution boards offer perfect blend of innovative features coupled with impressive aesthetics.

novello⁺ has 2 patented features to its credits! Its RAL 9010 complements & blends in perfectly with the premise decor. Experience superior innovative design that enhances safety, convenience & aesthetics all at the same time!



Patented features:

1



Patented gland plate
locking system with minimal screws

2



Patented IP2X neutral terminals
with flexibility to position it on the chassis

novello⁺ distribution boards



Advantages for you :

- Quick & easy to install
- Additional safety for human protection
- Exceptional aesthetics
- Wide range to suit all applications

Technical data :

- Single Door: IP30 / Double Door: IP43 & IP54
- As per IS 8623 - III
- Protection against mechanical impact IK09
- Plain & Acrylic doors
- RAL 9010
- Standard Accessories:
 - Wires sets
 - Insulated bus bars
 - Insulated neutral bars & earth bar
 - blanking plates, Cable management system
 - Circuit identification labels

Expert tips

1



Lab certified IP43 protection
in double door versions.
Archived by dual neoprene gasket between door, frame & wall box

2



Star washers
for earthing

3



Site upgradable door handle with key lock facility

4



Double packaging
for door protection until installation is complete

5



Removable indication labels

6



Reversible door

7



Business card holder
to retain electrician/
maintenance contact information
for future use

8



Captive spring operated hinge

Expert tips

9



Patented gland plate
locking system with minimal
screws

13



Patented IP2X neutral
terminals
with flexibility to position it
on the chassis

10



Anti wall insertion
marking

14



Removable chassis
for ease of installation

11



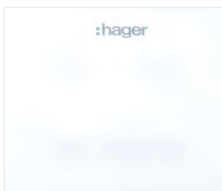
Spirit level to ensure
accurate & professional
alignment of wall box

15



Convenient 180 door
opening

12



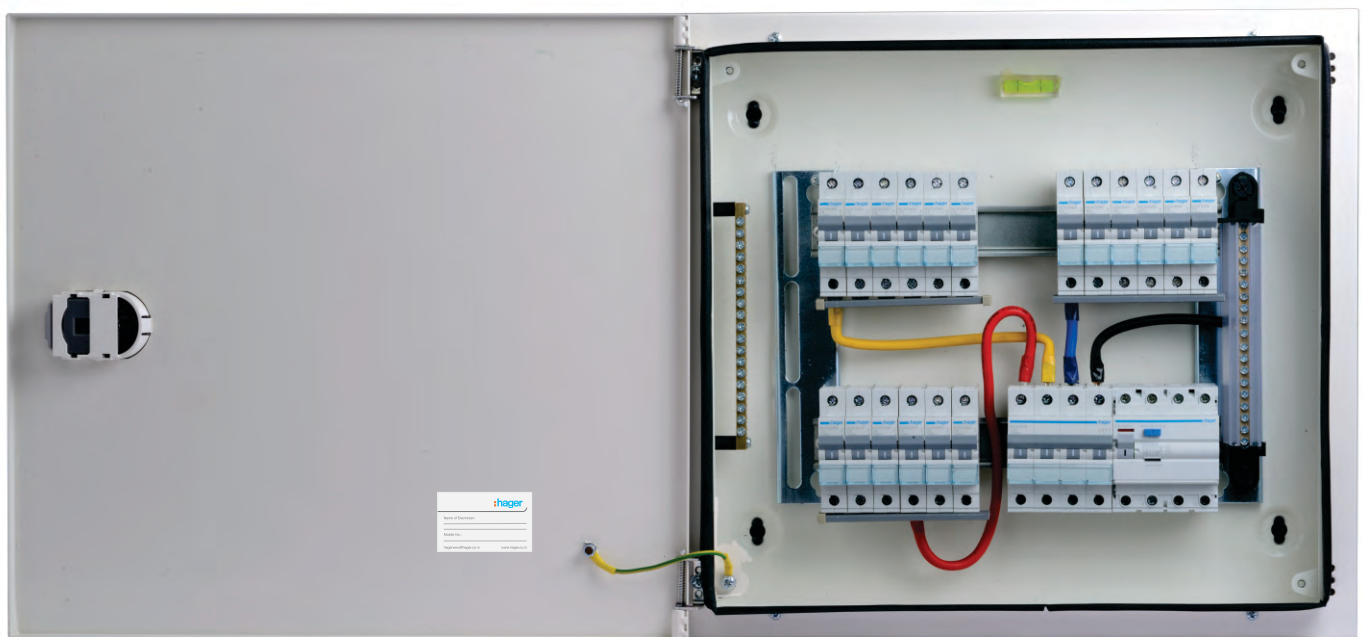
Cement spill
protection

16



Reusable cable
management kit

novello⁺ distribution boards



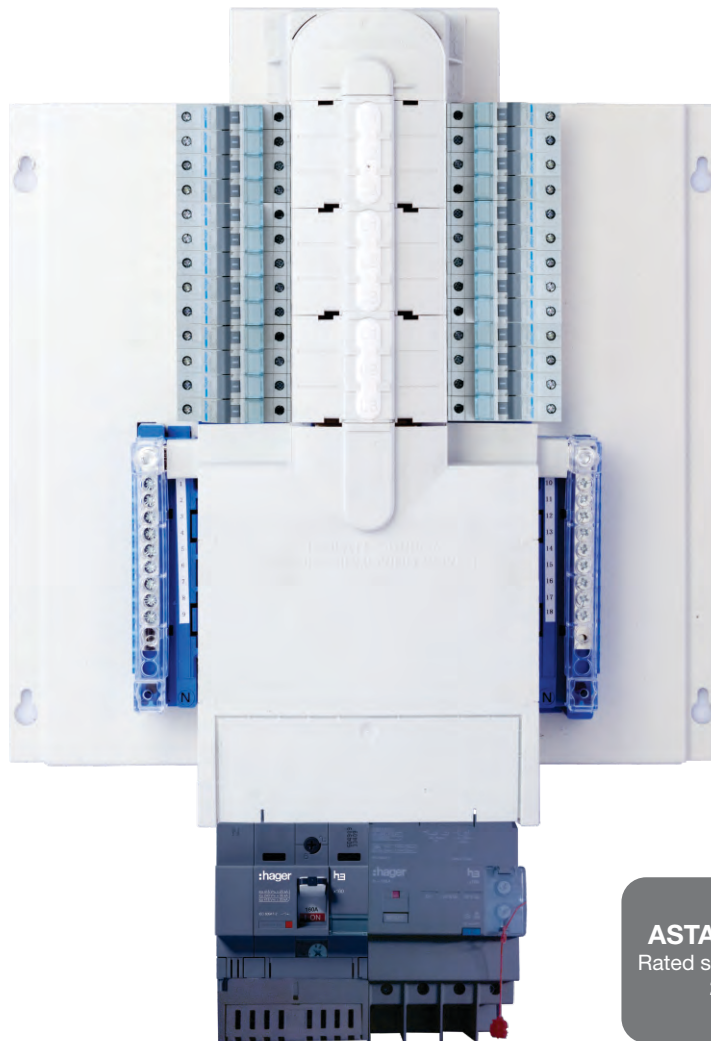
Advantages for you :

- Professional alignment with spirit level
- Reusable & flexible cable management
- Better protection with unique door packaging
- Upgrade to lockable enclosures possible

Technical data :

- Single Door: IP30 / Double Door: IP43 & IP54
- As per IS 8623 - III
- Protection against mechanical impact IK09
- Plain & Acrylic doors
- RAL 9010
- Standard Accessories:
 - Wires sets
 - Insulated bus bars
 - Insulated neutral bars & earth bar
 - blanking plates, Cable management system
 - Circuit identification labels

VTPN distribution boards: new design busbar



ASTA certified copper busbar
Rated short circuit withstand for busbars:
20 kA at 415V for 0.2 secs

Advantages for you :

- Enhanced safety for a completely secure installation
- Certified for fault withstand
- Easy to install
- Exceptional aesthetics

Technical data :

- Double Door: IP43 & IP54
- As per IS 8623 - III
- Protection against mechanical impact IK09
- Plain & Acrylic doors
- Incomer: Modular & MCCB
- Standard Accessories:
 - 250A busbar
 - Wires sets
 - Insulated neutral bars & earth bar
 - blanking plates, cable ties, cable tie holder
 - Circuit identification labels

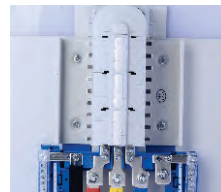
Expert tips

1



Phase identification
L1, L2, L3 in mouldings visible through front cover

4



ASTA certified insulated tinned copper busbar assembly. Rated short circuit withstand for busbars: 20 kA at 415V for 0.2 secs

2



Shrouded Transparent IP2X neutral cover with interconnection between N-links

5



Snap fit designed Incomer terminal shroud avoids touch with live parts

3













Flexibility to have Incomer Neutral connection either left or right

6



Provision to mount RCDs in complete VTPN range

Technical characteristics

	Standard	No. of Ways	Color	Type of Door
 SPN	IS 8623 - III	4, 6, 8, 12, 16, 18 way	Matt finish RAL 9010	Single Door, Double Door, Acrylic Door
 TPN	IS 8623 - III	4, 6, 8, 12, 16 way	Matt finish RAL 9010	Single Door, Double Door, Acrylic Door
 H-PPI	IS 8623 - III	4, 6, 8, 12 way	Matt finish RAL 9010	Double Door, Acrylic Door
 Tier PPI	IS 8623 - III	6, 8, 10, 12, 16 way	Matt finish RAL 9010	Double Door, Acrylic Door
 VTPN Modular/ MCCB	IS 8623 - III	4, 6, 8, 12, 16 way	Matt finish RAL 9010	Single Door, Double Door, Acrylic Door
 Modular/ MCCB Phase Segregated	IS 8623 - III	4, 6, 8, 12 way	Matt finish RAL 9010	Split Door, Double Door,
 Phase Selector	IS 8623 - III	4, 6, 8, 10, 12 way	Matt finish RAL 9010	Single Door, Double Door,
 Flexy	IS 8623 - III	28, 42, 56, 64 mod	Matt finish RAL 9010	Double Door, Acrylic Door
 Modular/ MCCB One Way Enclosure	IS 8623 - III	2, 4, 6, 8 mod/ x160, x250 h3 MCCB single hinged	Matt finish RAL 9010	Double Door, Acrylic Door
 Metal/ Plastic Plug & Socket	IS 8623 - III	10A - 63A (Metal) 16A - 63A (Plastic)	Matt finish RAL 9010	Single Door

IP Protection	Type of Incomer	Outgoing type	Accessories
IP 30, 43, 54	Modular	Modular	Insulated Busbars, Interconnecting Wiresets, Blanking plates, Cable management kit, Indication labels, IP 2x
IP 30, 43, 54	4 & 8 Modules	SP MCB	Insulated Busbars, Interconnecting Wiresets, Blanking plates, Cable management kit, Indication labels, IP 2x
IP 43, 54	8 Modules, 2 Modules, Sub Incomer	SP MCB	Insulated Busbars, Interconnecting Wiresets, Blanking plates, Cable management kit, Indication labels, IP 2x
IP 43, 54	8 Modules, MCCB* 2 Modules, Sub Incomer	SP MCB	Insulated Busbars, Interconnecting Wiresets, Blanking plates, Spirit level, Cable Management kit, Exchangeable indication labels, Business card holder, IP 2x
IP 30, 43, 54/ IP 43, 54	12 Modules x160, x250, h3 MCCB frame/ RCD AoB/ ELR	SP/ TP MCB	Busbar assembly 200A rated/ 250A busbar PAN assembly, Interconnecting Wiresets, Blanking plates, Cable management kit, IP 2x
IP 30, 43	12 Modules/ MCCB, 4 Modules Sub Incomer	SP MCB	Insulated Busbars, Interconnecting Wiresets, Blanking plates, Cable management kit, Indication labels, IP 2x
IP 30, 43	8 Modules with Selector Switches	SP MCB	Insulated Busbars, Interconnecting Wiresets, Blanking plates, Cable management kit, Indication labels, IP 2x
IP 43, 54	Modular	Modular	Blanking plates, Cable management kit, Indication labels, IP 2x
IP 30	Modular	Modular	Blanking plates, Cable management kit, Indication labels, IP 2x
IP 30 Enclosure, IP54	Modular	-	Plugs

SPN DBs

IP & Door	No of Ways	Incomer	Cat. Ref.
IP30	6	Modular	VYS06C
	8		VYS08C
	12		VYS12C
	16		VYS16C
	18		VYS18C
IP43 plain door	4		VYS04D
	6		VYS06D
	8		VYS08D
	12		VYS12D
	16		VYS16D
IP43 acrylic door	18		VYS18D
	4		VYS04G
	6		VYS06G
	8		VYS08G
	12		VYS12G
IP54 plain door	16		VYS16G
	18		VYS18G
	4		VYS04P
	6	VYS06P	
	8	VYS08P	
Cable End Box	12	VYS12P	
	4	VYS04E	
	6	VYS06E	
	8	VYS08E	
	12	VYS12E	
	16	VYS16E	
	18	VYS18E	

TPN DBs

IP & Door	No of Ways	Incomer	Cat. Ref.	
IP30	4	4 Module	VYT04CD	
	6		VYT06CD	
	8		VYT08CD	
	IP43 plain door	4	8 Module	VYT04CH
		6		VYT06CH
		8		VYT08CH
12		VYT12CH		
4		VYT04DD		
6		VYT06DD		
IP43 acrylic door	4	8 Module	VYT04DH	
	6		VYT06DH	
	8		VYT08DH	
	12		VYT12DH	
	16		VYT16DH	
	18		VYT18DH	
IP54 plain door	4	8 Module	VYT04GH	
	6		VYT06GH	
	8		VYT08GH	
	12		VYT12GH	
Cable End Box	16	VYT16GH		
	4	VYT04PH		
	6	VYT06PH		
	8	VYT08PH		
	12	VYT12PH		
	4	VYT04E		
	6	VYT06E		
	8	VYT08E		
	12	VYT12E		
	16	VYT16E		

Horizontal PPI DBs

IP & Door	No of Ways	Incomer	Cat. Ref.
IP43 plain door	4	8 Module	VYH04DH
	6		VYH06DH
	8		VYH08DH
	12		VYH12DH
IP43 acrylic door	4		VYH04GH
	6		VYH06GH
	8		VYH08GH
	12		VYH12GH
IP54 plain door	4		VYH04PH
	6		VYH06PH
	8		VYH08PH
	12		VYH12PH
Cable End Box	4	VYH04E	
	6	VYH06E	
	8	VYH08E	
	12	VYH12E	

Tier PPI DBs

IP & Door	No of Ways	Incomer	Cat. Ref.	
IP43 plain door	4	8 Module	VYH04DH	
	6		VYH06DH	
	10		VYH08DH	
	12		VYH12DH	
	IP43 acrylic door	12	MCCB X160	VYH04GH
		16	VYH06GH	
6		8 Module	VYH08GH	
8			VYH12GH	
10			VYH04PH	
12			VYH06PH	
IP54 plain door	12	MCCB X160	VYH08PH	
	16	VYH12PH		
	6	8 Module	VYH04E	
	8		VYH06E	
12	VYH08E			
Cable End Box	6		VYH12E	
	8	VYH06E		
	10	VYH08E		
	12	VYH12E		
	12	VYH08E		

TPN Phase Segregated DBs

IP & Door	No of Ways	Incomer	Cat. Ref.	
IP30	4	8 Module	VYG04CL	
	6		VYG06CL	
	8		VYG08CL	
	12		VYG12CL	
IP43 plain door	4		VYG04DL	
	6		VYG06DL	
	8		VYG08DL	
	12		VYG12DL	
IP43 plain door	4		MCCB X160	VYG04DM
	6			VYG06DM
	8			VYG08DM
	12			VYG12DM

TPN Phase Selector DBs

IP & Door	No of Ways	Incomer	Cat. Ref.
IP30	4	8 Module	VYC04CH
	6		VYC06CH
	8		VYC08CH
	12		VYC12CH
	4		VYC04DH
IP43 plain door	4	6 Module	VYC04DF
	6		VYC06DH
	8	8 Module	VYC08DH
	12		VYC12DH

Vertical TPN DBs

IP & Door	No of Ways	Incomer	Cat. Ref.
IP30	4	12 Module	VYV04CL
	6		VYV06CL
	8		VYV08CL
	12		VYV12CL
IP43 plain door	4		VYV04DL
	6		VYV06DL
	8		VYV08DL
	12		VYV12DL
IP43 acrylic door	4		VYV16DL
	6		VYV04GL
	8		VYV06GL
	12		VYV08GL
IP54 plain door	4		VYV12GL
	6		VYV16GL
	8		VYV04PL
	12		VYV06PL
IP43 plain door	4	VYV04DM	
	6	VYV06DM	
	8	VYV08DM	
	12	VYV12DM	
IP43 acrylic door	4	VYV16DM	
	6	VYV04GM	
	8	VYV06GM	
	12	VYV08GM	
IP54 plain door	4	VYV12GM	
	6	VYV16GM	
	8	VYV04PM	
	12	VYV06PM	
IP43 plain door	4	VYV08PM	
	6	VYV12PM	
	8	VYV04DM2	
	12	VYV06DM2	
IP43 acrylic door	4	VYV08DM2	
	6	VYV12DM2	
	8	VYV16DM2	
	12	VYV04GM2	
IP54 plain door	4	VYV06GM2	
	6	VYV08GM2	
	8	VYV12GM2	
	12	VYV16GM2	
IP43 acrylic door	4	VYV04PM2	
	6	VYV06PM2	
	8	VYV08PM2	
	12	VYV12PM2	

Flexy DBs

IP & Door	No of Ways	Incomer	Cat. Ref.
IP43 plain door	2 row 28 mod	12 Module	VYF214D
	3 row 42 mod		VYF314D
	4 row 40 mod		VYF410D
	4 row 56 mod		VYF414D
	4 row 64 mod		VYF416D
IP43 acrylic door	2 row 28 mod		VYF214G
	3 row 42 mod		VYF314G
	4 row 56 mod		VYF414G
	4 row 64 mod		VYF416G
IP54 plain door	2 row 28 mod		VYF214P
	3 row 42 mod		VYF314P
	4 row 56 mod		VYF414P
	4 row 64 mod	VYF416P	
Cable End Box	14 Mod Box	VYF14E	
	16 Mod Box	VYF16E	

One Way Enclosures

IP & Door	No of Ways	Incomer	Cat. Ref.
IP30	2	Modular	VYM02C
	4		VYM04C
	6		VYM06C
	8		VYM08C

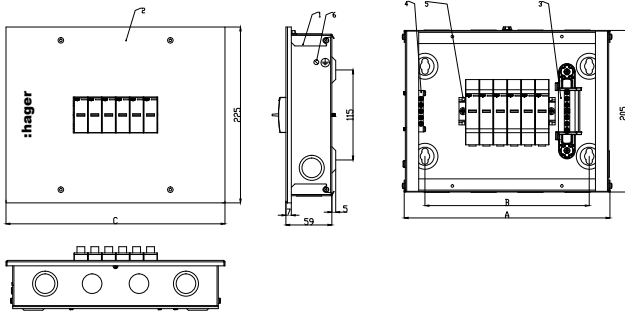
MCCB Box

IP & Door	No of Ways	Incomer	Cat. Ref.
IP30	MCCB x160 frame h3	MCCB x160	VYM160CM
	MCCB x250 frame h3	MCCB x250	VYM250CM
IP30 - Hinged Door	MCCB x160 frame h3	MCCB x160	VYM160HM
	MCCB x160 frame h3		VYM161HM
IP30	MCCB x250 frame h3	MCCB x250	VYM250HM
	MCCB x250 frame h3		VYM251HM

Plug & Socket

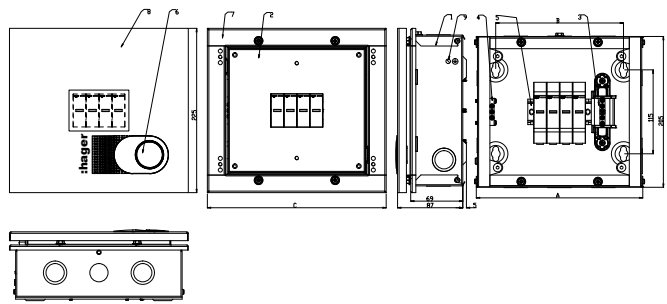
IP & Door	No of Ways	Incomer	Cat. Ref.
Metal	10A, 1 P	1 Module	VYA110C
	20A, 1 P		VYA120C
	20A, 2 P	2 Module	VYA220C
	20A, 3 P	4 Module	VYA420C
	32A, 3 P		VYA432C
	63A, 5 P	8 Module	VYA863C
Plastic	16A, 2 P	4 Module	VYB416C
	32A, 2 P		VYB432C
	32A, 5 P	8 Module	VYB832C
	63A, 5 P		VYB863C

IP30 - Single Door



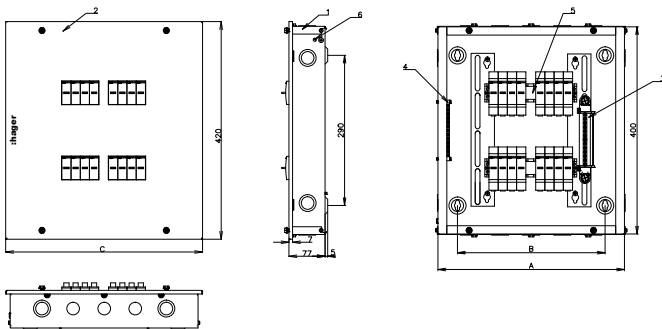
Way	Cat No.	A	B	C	Top Bottom		Both Side
					25 K' out	25/32 K' out	25/32 K' out
6	VYS06C	260	210	280	2 Nos.	2 Nos.	1 No.
8	VYS08C	295	245	315	2 Nos.	2 Nos.	1 No.
12	VYS12C	370	320	390	4 Nos.	2 Nos.	1 No.
16	VYS16C	460	410	480	5 Nos.	2 Nos.	1 No.
18	VYS18C	495	445	515	6 Nos.	2 Nos.	1 No.

IP43 - Double Door / Glazed Door



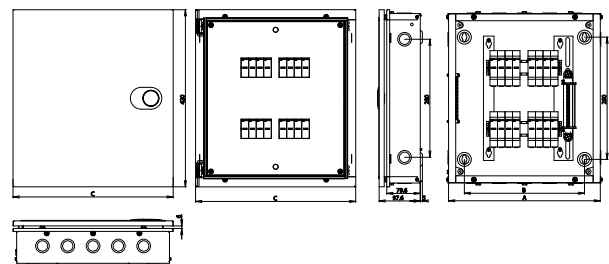
Way	Cat No.	A	B	C	Top Bottom		Both Side
					25 K' out	25/32 K' out	25/32 K' out
4	VYS04D/ G	225	175	245	1 No.	2 Nos.	1 No.
6	VYS06D/ G	260	210	280	2 Nos.	2 Nos.	1 No.
8	VYS08D/ G	295	245	315	2 Nos.	2 Nos.	1 No.
12	VYS12D/ G	370	320	390	4 Nos.	2 Nos.	1 No.
16	VYS16D/ G	460	410	480	5 Nos.	2 Nos.	1 No.
18	VYS18D/ G	495	445	515	6 Nos.	2 Nos.	1 No.

IP30 - Single Door (4M Incomer)



Way	Cat No.	A	B	C	Top Bottom		Both Side
					25 K' out	25/32 K' out	25/32 K' out
4	VYT04CD	360	285	380	3 Nos.	2 Nos.	4 Nos.
6	VYT06CD	400	325	420	4 Nos.	2 Nos.	4 Nos.

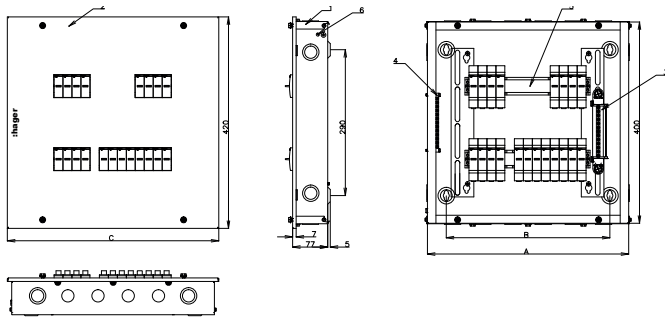
IP43 - Double Door (4M Incomer)



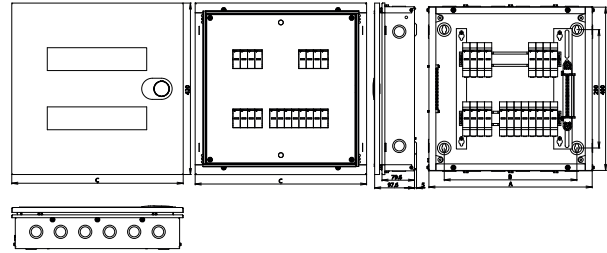
Way	Cat No.	A	B	C	Top Bottom		Both Side
					25 K' out	25/32 K' out	25/32 K' out
4	VYT04DD	360	285	375	3 Nos.	2 Nos.	2 Nos.
6	VYT06DD	400	325	415	4 Nos.	2 Nos.	2 Nos.

All dimensions are in mm

IP30 - Single Door



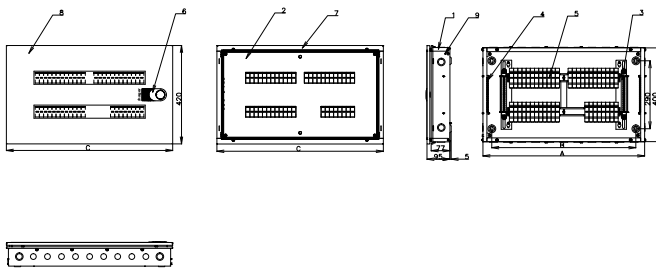
IP43 - Double Door/ Acrylic Door



Way	Cat No.	A	B	C	Top Bottom		Both Side
					25 K' out	25/32 K' out	25/32 K' out
4	VYT04CH	400	325	420	4 Nos.	2 Nos.	4 Nos.
6	VYT06CH	440	365	460	5 Nos.	2 Nos.	4 Nos.
8	VYT08CH	505	430	525	6 Nos.	2 Nos.	4 Nos.
12	VYT12CH	690	615	710	9 Nos.	2 Nos.	4 Nos.

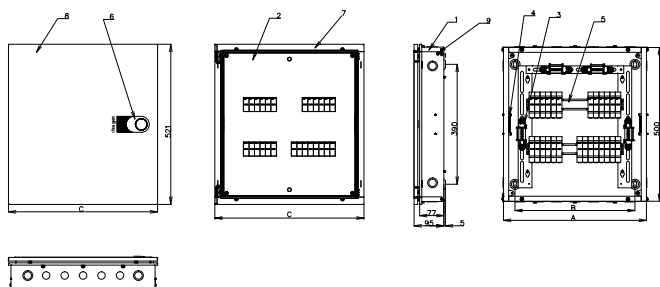
Way	Cat No.	A	B	C	Top Bottom		Both Side
					25 K' out	25/32 K' out	25/32 K' out
4	VYT04DH/ GH	400	325	420	4 Nos.	2 Nos.	4 Nos.
6	VYT06GH/ GH	440	365	460	5 Nos.	2 Nos.	4 Nos.
8	VYT08GH/ GH	505	430	525	6 Nos.	2 Nos.	4 Nos.

IP43 - Double Door/ Acrylic Door - 12 & 16 way



Way	Cat No.	A	B	C	Top Bottom		Both Side
					25 K' out	25/32 K' out	25/32 K' out
12	VYT12DH/ GH	690	615	710	9 Nos.	2 Nos.	4 Nos.
16	VYT16DH/ GH	835	755	855	5 Nos.	2 Nos.	4 Nos.

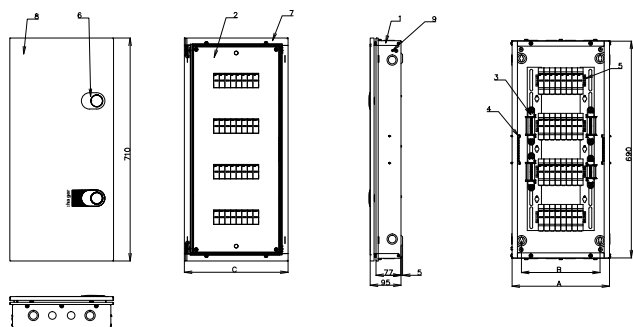
IP43 - Double Door/ Acrylic Door



Way	Cat No.	A	B	C	Top Bottom		Both Side
					25 K' out	25 / 32 K' out	25 / 32 K' out
4	VYH04DH/ GH	465	390	485	5 Nos.	2 Nos.	4 Nos.
6	VYH06DH/ GH	500	425	520	6 Nos.	2 Nos.	4 Nos.
8	VYH08DH/ GH	570	495	590	7 Nos.	2 Nos.	4 Nos.
12	VYH12DH/ GH	760	685	780	10 Nos.	2 Nos.	4 Nos.

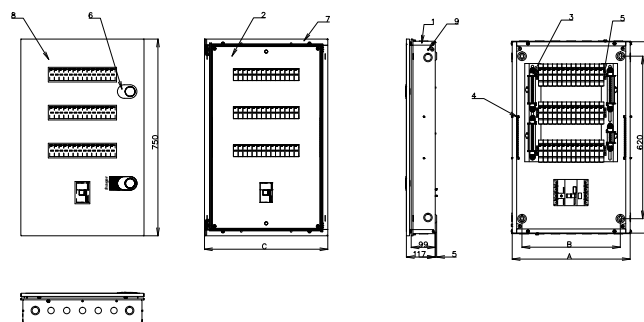
novello
TPN Tier PPI DBs

IP43 - Double Door



Way	Cat No.	A	B	C	Top Bottom		Both Side
					25 K' out	25/32 K' out	25/32 K' out
6+2	VYP06DH/ GH	310	250	330	2 Nos.	2 Nos.	4 Nos.
8+2	VYP08DH/ GH	365	305	385	3 Nos.	2 Nos.	4 Nos.
10+2	VYP10DH/ GH	430	370	450	4 Nos.	2 Nos.	4 Nos.
12+2	VYP12DH/ GH	450	390	470	5 Nos.	2 Nos.	4 Nos.
16+2	VYP16DH/ GH	550	490	570	6 Nos.	2 Nos.	4 Nos.

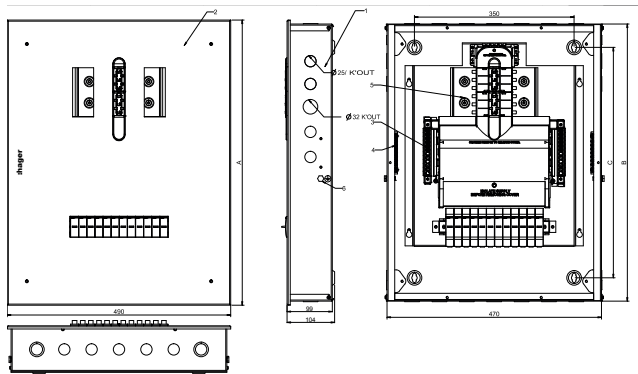
IP43 - Double Door - 160 MCCB



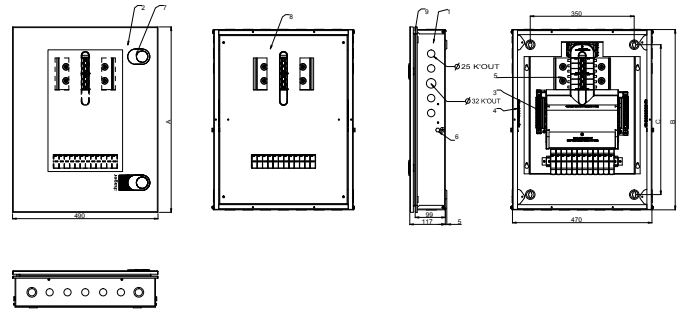
Way	Cat No.	A	B	C	Top Bottom		Both Side
					25 K' out	25/32 K' out	25/32 K' out
12+2	VYP12GM	450	375	470	5 Nos.	2 Nos.	4 Nos.

All dimensions are in mm

IP30 - Single Door



IP43 VTPN DB Double Door / Acrylic Door

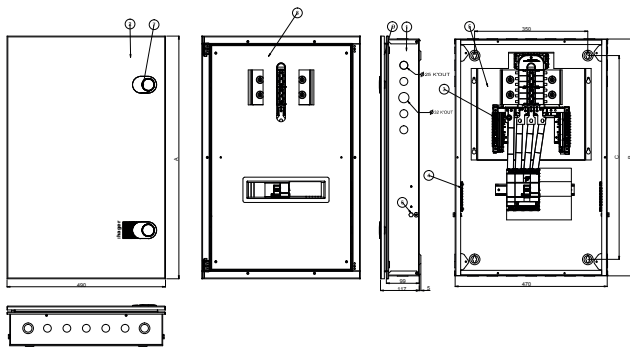


Way	Cat No.	A	B	C	Top Bottom		Both Side	
					25 K' out	32 K' out	25 K' out	32 K' out
4	VYV04CL	625	605	505	5 Nos.	2 Nos.	8 Nos.	2 Nos.
6	VYV06CL	679	659	559	5 Nos.	2 Nos.	8 Nos.	2 Nos.
8	VYV08CL	733	633	613	5 Nos.	2 Nos.	8 Nos.	2 Nos.
12	VYV12CL	841	821	721	5 Nos.	2 Nos.	8 Nos.	2 Nos.

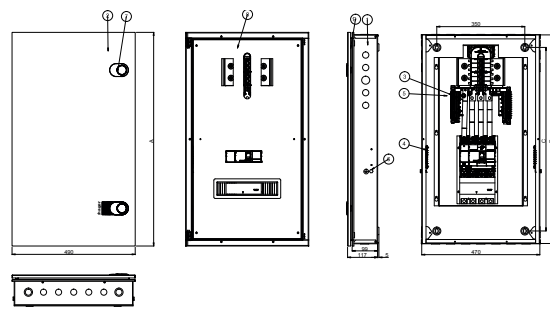
Way	Cat No.	A	B	C	Top Bottom		Both Side	
					25 K' out	32 K' out	25 K' out	32 K' out
4	VYV04DL/GL	625	605	505	5 Nos.	2 Nos.	8 Nos.	2 Nos.
6	VYV06DL/GL	679	659	559	5 Nos.	2 Nos.	8 Nos.	2 Nos.
8	VYV08DL/GL	733	713	613	5 Nos.	2 Nos.	8 Nos.	2 Nos.
12	VYV12DL/GL	841	821	721	5 Nos.	2 Nos.	8 Nos.	2 Nos.
16	VYV16DL/GL	949	929	829	5 Nos.	2 Nos.	8 Nos.	2 Nos.

All dimensions are in mm

IP43 - 160A MCCB Double Door/ Acrylic Door



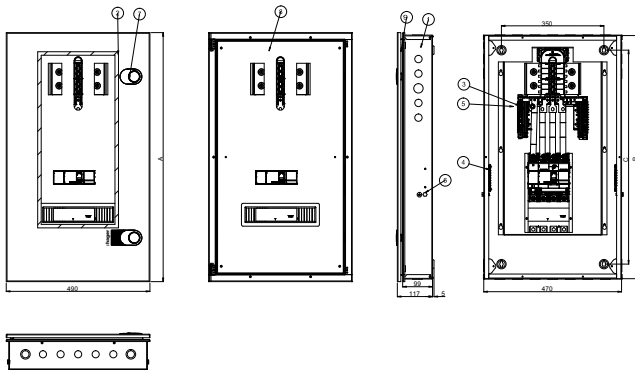
IP43 - 250A MCCB Double Door



Way	Cat No.	A	B	C	Top Bottom		Both Side	
					25 K' out	32 K' out	25 K' out	32 K' out
4	VYV04DM/ GM	750	730	630	5 Nos.	2 Nos.	8 Nos.	2 Nos.
6	VYV06DM/ GM	784	784	684	5 Nos.	2 Nos.	8 Nos.	2 Nos.
8	VYV08DM/ GM	858	838	738	5 Nos.	2 Nos.	8 Nos.	2 Nos.
12	VYV12DM/ GM	946	816	907	5 Nos.	2 Nos.	8 Nos.	2 Nos.
16	VYV16DM/ GM	1054	924	1069	5 Nos.	2 Nos.	8 Nos.	2 Nos.

Way	Cat No.	A	B	C	Top Bottom		Both Side	
					25 K' out	32 K' out	25 K' out	32 K' out
4	VYV04DM2	850	830	730	5 Nos.	2 Nos.	8 Nos.	2 Nos.
6	VYV06DM2	904	884	784	5 Nos.	2 Nos.	8 Nos.	2 Nos.
8	VYV08DM2	958	938	838	5 Nos.	2 Nos.	8 Nos.	2 Nos.
12	VYV12DM2	1066	1046	946	5 Nos.	2 Nos.	8 Nos.	2 Nos.
16	VYV16DM2	1174	1154	1054	5 Nos.	2 Nos.	8 Nos.	2 Nos.

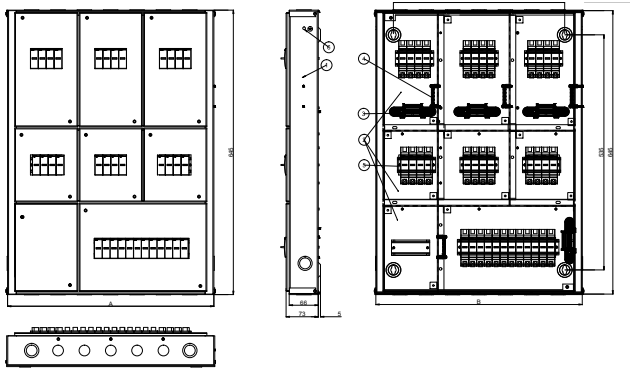
IP43 - 250A MCCB Acrylic Door



Way	Cat No.	A	B	C	Top Bottom		Both Side	
					25 K' out	32 K' out	25 K' out	32 K' out
4	VYV04GM2	850	830	730	5 Nos.	2 Nos.	8 Nos.	2 Nos.
6	VYV06GM2	904	884	784	5 Nos.	2 Nos.	8 Nos.	2 Nos.
8	VYV08GM2	958	938	838	5 Nos.	2 Nos.	8 Nos.	2 Nos.
12	VYV12GM2	1066	1046	946	5 Nos.	2 Nos.	8 Nos.	2 Nos.
16	VYV16GM2	1174	1154	1054	5 Nos.	2 Nos.	8 Nos.	2 Nos.

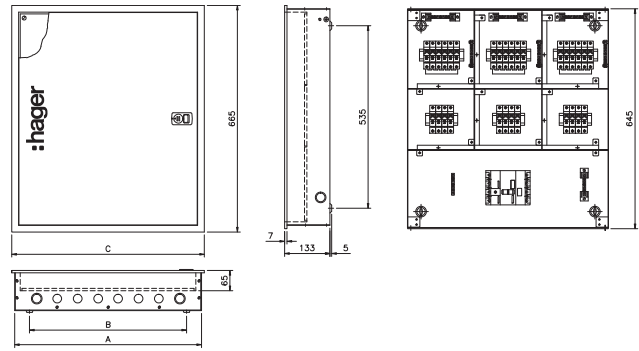
All dimensions are in mm

IP30 - Single Door



Way	Cat No.	A	B	Top Bottom		Both Side
				25 K' out	25/32 K' out	25/32 K' out
4	VYG04CL	470	390	5 Nos.	2 Nos.	2 No.
6	VYG06CL	578	498	7 Nos.	2 Nos.	2 No.
8	VYG08CL	686	606	9 Nos.	2 Nos.	2 No.
12	VYG12CL	902	822	13 Nos.	2 Nos.	2 No.

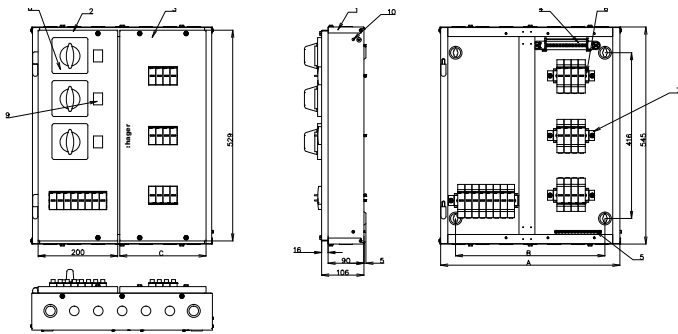
IP43 - Double Door/ MCCB Incomer



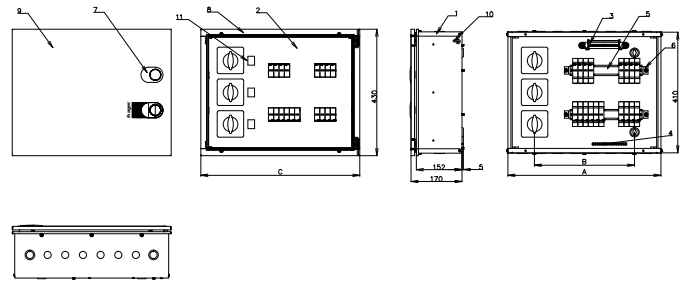
Way	Cat No.	A	B	C	Door	Top Bottom		Both Side
						25 K' out	25/32 K' out	25/32 K' out
4	VYG04DM/ DL	470	395	490	One Door	4 Nos.	2 Nos.	1 No.
6	VYG06DM/ DL	578	503	598	One Door	6 Nos.	2 Nos.	1 No.
8	VYG08DM/ DL	686	611	706	Two Door	8 Nos.	2 Nos.	1 No.
12	VYG12DM/ DL	902	827	922	Two Door	11 Nos.	2 Nos.	1 No.

All dimensions are in mm

IP30 - Single Door



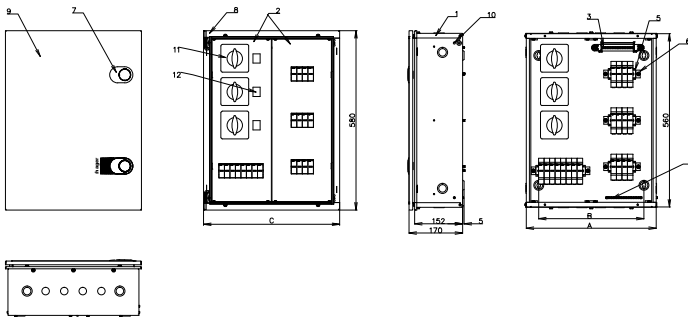
IP43 - Double Door



Way	Cat No.	A	B	C	Top Bottom	
					25 K' out	25/32 K' out
4	VYC04CH	450	375	217	5 Nos.	2 Nos.
6	VYC06CH	485	410	252	5 Nos.	2 Nos.
8	VYC08CH	560	485	327	5 Nos.	2 Nos.
12	VYC12CH	700	625	467	6 Nos.	2 Nos.

Way	Cat No.	A	B	C	Top Bottom	
					25 K' out	32 K' out
4	VYC04DF	520	340	540	6 Nos.	2 Nos.

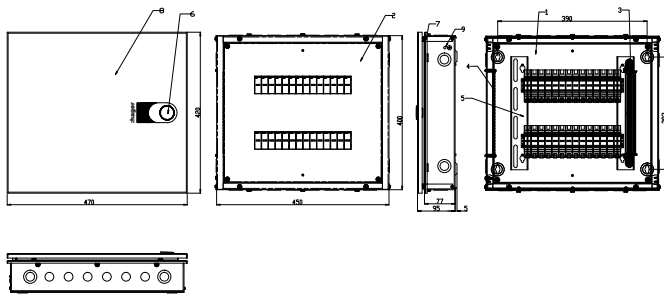
IP43 - Double Door - Phase Selector DB



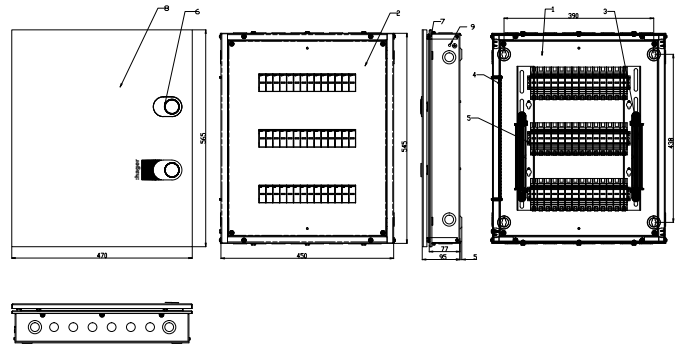
Way	Cat No.	A	B	C	Top Bottom		Both Side
					25 K' out	25/32 K' out	25/32 K' out
4	VYC04DH	420	340	440	4 Nos.	2 Nos.	4 Nos.
6	VYC06DH	455	375	475	5 Nos.	2 Nos.	4 Nos.
8	VYC08DH	490	410	510	5 Nos.	2 Nos.	4 Nos.
12	VYC12DH	560	480	580	6 Nos.	2 Nos.	4 Nos.

All dimensions are in mm

IP43 - Double Door / Acrylic Door- 2 Tier DB



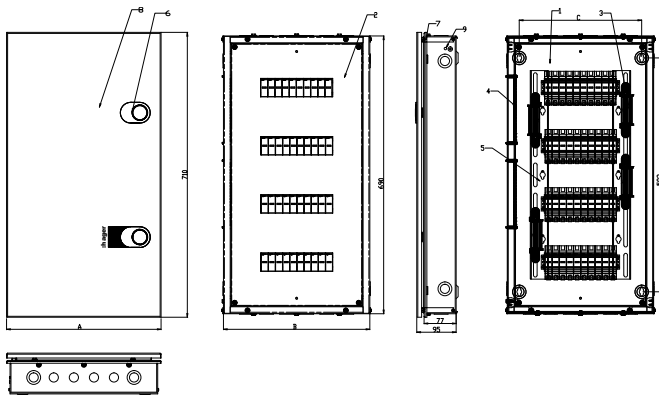
IP43 - Double Door / Acrylic Door - 3 Tier DB



Way	Cat No.	A	B	C	Top Bottom		Both Side
					25 K' out	25/32 K' out	25/32 K' out
14	VYF214D/ G	450	375	465	5 Nos.	2 Nos.	2 Nos.

Way	Cat No.	A	B	C	Top Bottom		Both Side
					25 K' out	25/32 K' out	25/32 K' out
14	VYF314D / G	450	375	470	5 Nos.	2 Nos.	2 Nos.

IP43 - Double Door / Acrylic Door - 4 Tier DB



Way	Cat No.	A	B	C	Top Bottom		Both Side
					25 K' out	25/32 K' out	25/32 K' out
14	VYF414D/ G	470	450	390	5 Nos.	2 Nos.	2 Nos.
16	VYF416D/ G	520	500	440	6 Nos.	2 Nos.	2 Nos.



Where
is my
nearest
Hager
contact
person?

Always Near

1 North

- North 1 - Delhi
- North 2 - Noida
- North 3 - Haryana
- North 4 - Chandigarh / HP
- North 5 - Punjab / JK
- North 6 - UP / UK
- North 7 - Rajasthan

2 West

- West 1 & 2 - Maharashtra / Goa / Chattisgarh
- West 3 & 4 - Gujarat / MP

3 South

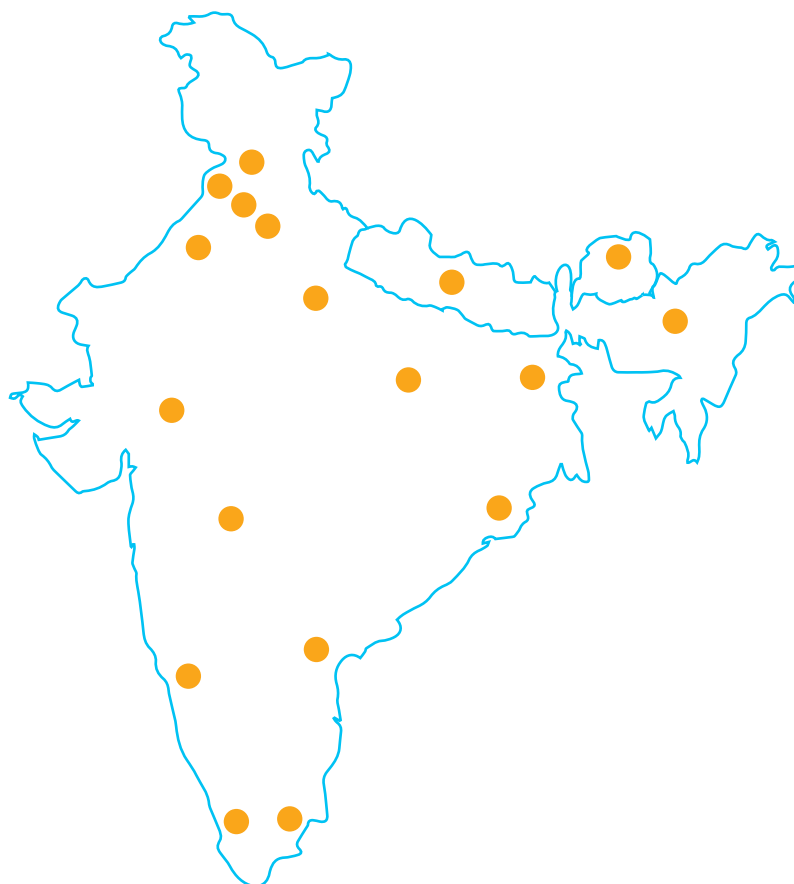
- South 1 - Karnataka
- South 2 - AP
- South 3 - Chennai / Puducherry
- South 4 - Coimbatore / Kerela

4 East

- East 1 - West Bengal
- East 2 - Orissa
- East 3 - North East
- East 4 - Bihar / Jharkhand

5 Nepal

6 Bhutan



**Hager Electro Private Limited
Sales & Marketing office :**

Office 2A, First Floor
North Court Building
Opposite Joggers Park
Kalyani Nagar
Pune-411006
India

Tel: +91 20 41477500
Fax: +91 20 41477510
Toll free no.: 1800 103 5440
Email: hagerwow@hager.co.in
Website: www.hager.co.in

Delhi Sales Office :

B 217 Tower B
DLF Towers, Jasola
New Delhi-110025
India

Tel: +91 11 49677500
Fax: +91 11 49677555

Mumbai Sales Office :

Office # 1301A, Tower 3
Indiabulls Finance Centre
Elphistone Road
Mumbai-400013
India

Tel: +91 22 71813200

Hager Electro SAS:

132 Boulevard d' Europe
BP 78
F-67212 Obernai
France

